

E8-TURBO-G3Z

2 MP EXIR Eyeball Camera

epcom[®]

Professional Video Surveillance Solutions

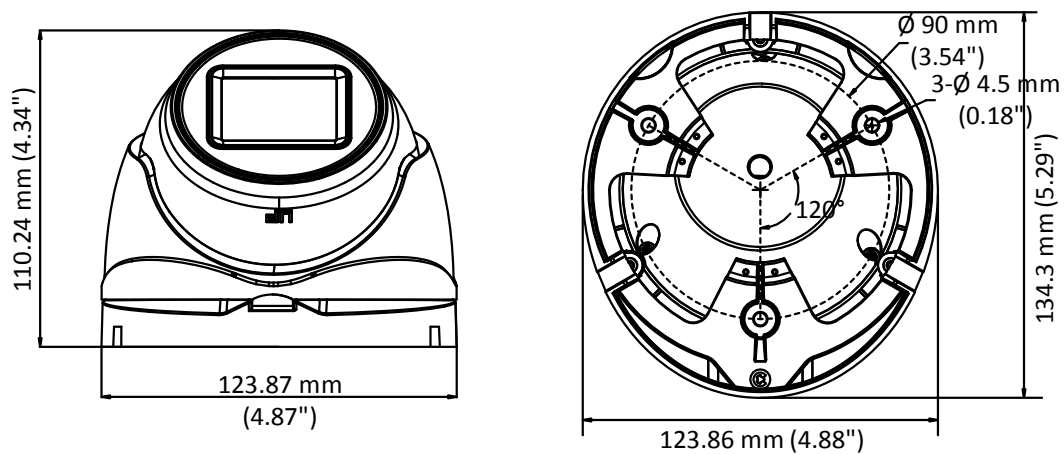


Key Features

- 2 MP high-performance CMOS.
- Ultra low light.
- 1920 × 1080 resolution.
- 2.7 mm to 13.5 mm motorized varifocal lens, auto focus.
- EXIR 2.0, smart IR, up to 70 m IR distance.
- OSD menu, 3D DNR, 120 dB true WDR, day/night switch.
- 4 in 1 video output (switchable TVI/AHD/CVI/CVBS).
- IP67.
- Up the coax (HIKVISION-C).



Dimension



epcom[®]

Professional Video Surveillance Solutions

Specification

Camera	
Image Sensor	2.0 megapixel progressive scan CMOS
Signal System	PAL/NTSC
Video Frame Rate	PAL: 1080p@25fps NTSC: 1080p@30fps
Resolution	1920 (H) × 1080 (V)
Min. Illumination	0.005 Lux@(F1.2, AGC ON), 0 Lux with IR
Shutter Time	PAL: 1/25 s to 1/50, 000 s NTSC: 1/30 s to 1/50, 000 s
Slow Shutter	Max. 16 times
Lens	2.7 mm to 13.5 mm
Horizontal Field of View	102° to 31°
Lens Mount	Φ 14
Day & Night	IR cut filter
Angle Adjustment	Pan: 0° to 360°, Tilt: 0° to 75°, Rotation: 0° to 360°
Synchronization	Internal synchronization
WDR (Wide Dynamic Range)	≥ 120 dB
Menu	
AGC	High/Medium/Low
D/N Mode	Auto/Color/BW (Black and White)
Image Mode	STD/HIGH-SAT
HLC (Highlight Compensation)	Yes
BLC (Backlight Compensation)	Yes
WDR	Yes
3D DNR	Level 1 to 9
Language	English
Functions	Brightness, Sharpness, 3D DNR, Mirror, Smart IR
Interface	
Video Output	1 HD analog output
Switch Button	TVI/AHD/CVI/CVBS
General	
Operating Conditions	-40 °C to 60 °C (-40 °F to 140 °F), Humidity: 90% or less (non-condensation)
Power Supply	12 VDC ±25% <i>*You are recommended to use one power adapter to supply the power for one camera.</i>
Power Consumption	Max. 7.7 W
Protection Level	IP67
Material	Metal
IR Range	Up to 70 m
Dimensions	123.87 mm × 110.24 mm × 134.3 mm (4.87" × 4.34" × 5.29")
Weight	Approx. 600 g (1.32 lb.)